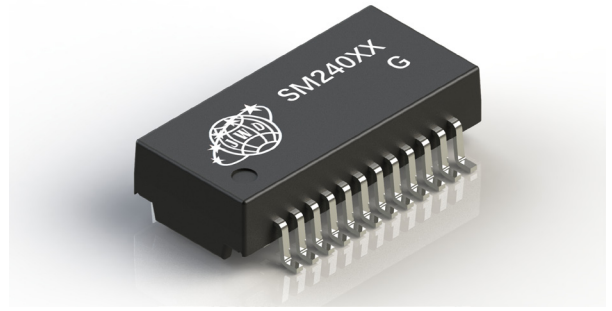


LAN TRANSFORMER

SM240XX G-Series

10G Base-T Single Port Magnetic Modules SMD



Features And Benefits

Cable Interface For Isolation And Low Common Mode Emissions Compliant With RoHS Requirements

Electrical Performance Summary

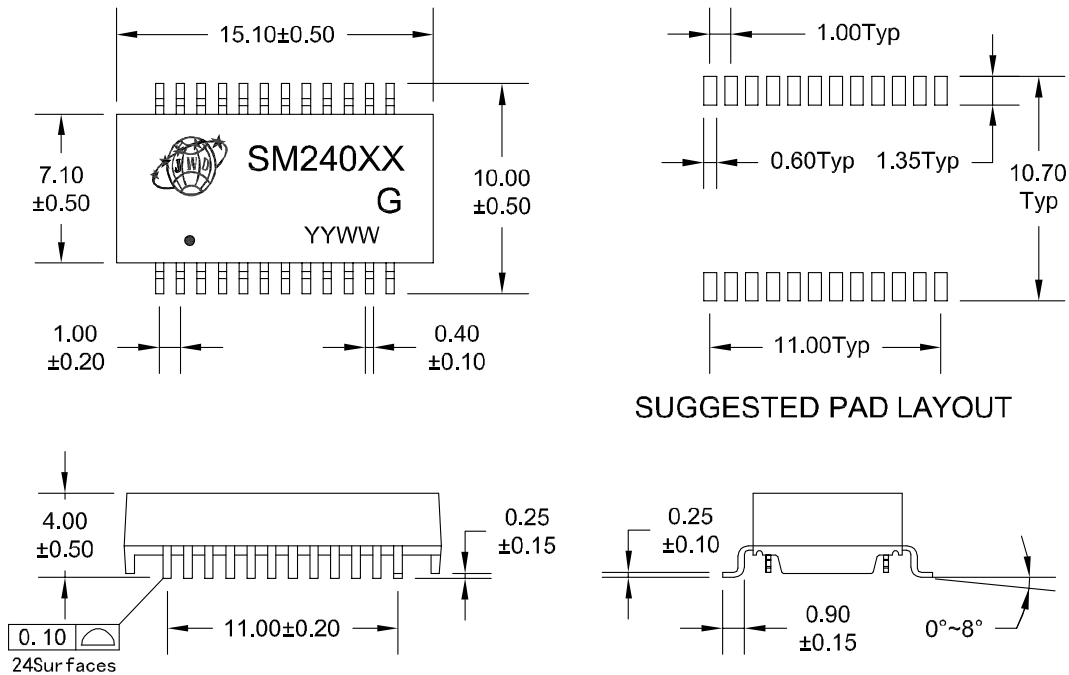
Designed For Ethernet 10G Base-T, Full Single Port Applications

Compliant With IEEE 802.3an Standard For 10G Base-T

Electrical Specifications @ 25° C

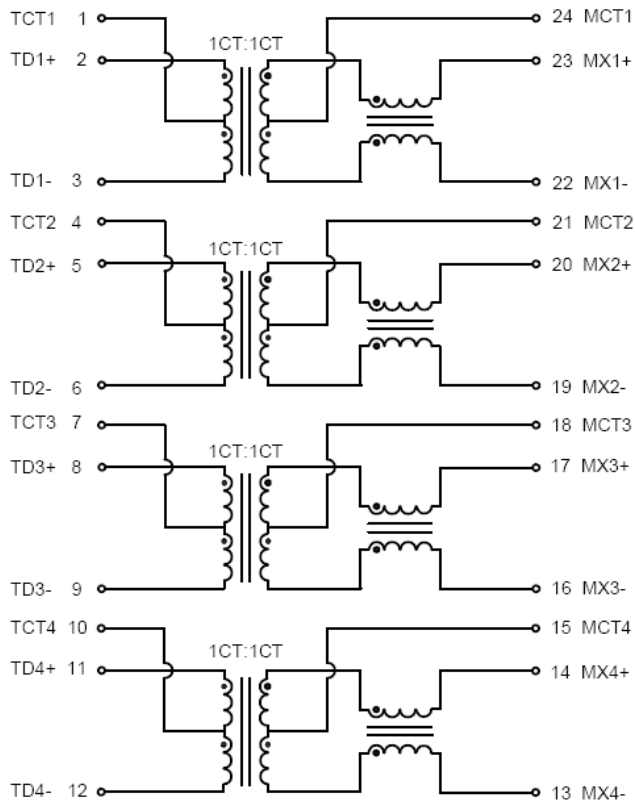
Part Number	OCL (μH)	Insertion Loss (dB)		Return Loss (dB)		Cross Talk (dB)	CMRR (dB)	Isolation Hipot (V)	PoE Rating
	Min	Max		Min		Typ	Typ	Min	
	100KHz,0.1V	1-400 MHz	400-500 MHz	1-40 MHz	40-500 MHz	1-500 MHz	1-500 MHz	1mA,60s	
SM24002 G	120	-2.0	-3.0	-19	-19+10*LOG(f/40)	-25	-20	1500	NON-PoE
SM24015 G	120	-2.0	-3.0	-19	-19+10*LOG(f/40)	-25	-20	1500	4PPoE 30W
SM24026 G	120	-2.0	-3.0	-19	-19+10*LOG(f/40)	-25	-20	1500	4PPoE 30W
SM24008 G	120	-2.0	-3.0	-19	-19+10*LOG(f/40)	-25	-20	1500	NON-PoE

Mechanical

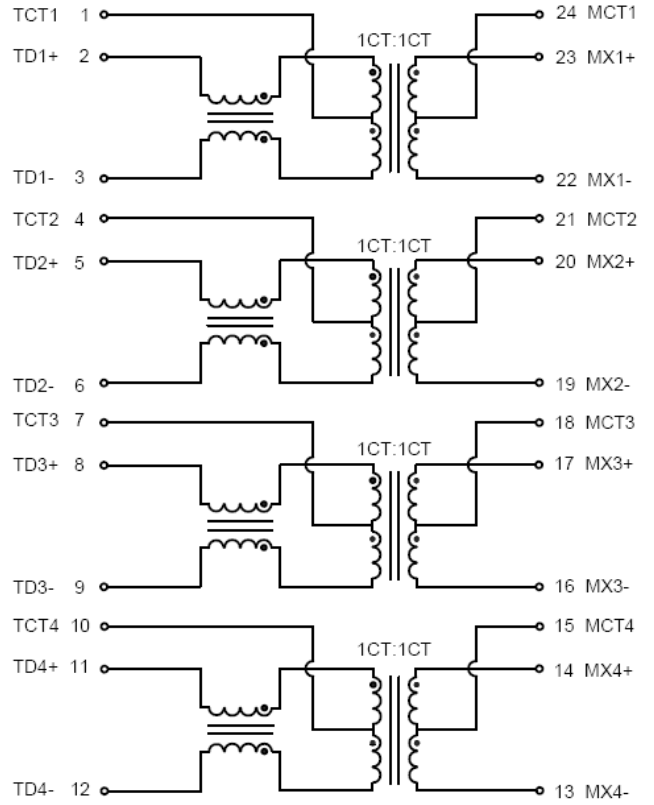


SUGGESTED PAD LAYOUT

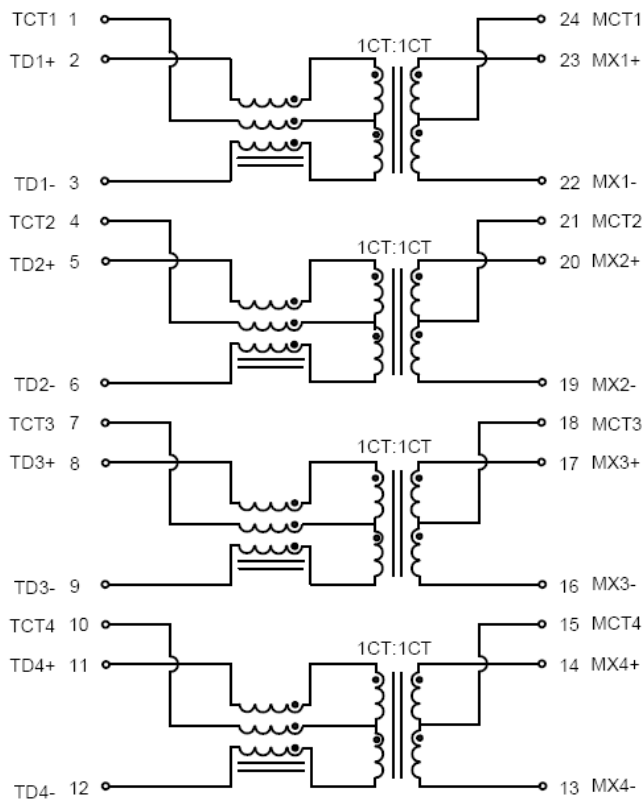
SM24002 G



SM24015 G



SM24026 G



SM24008 G

